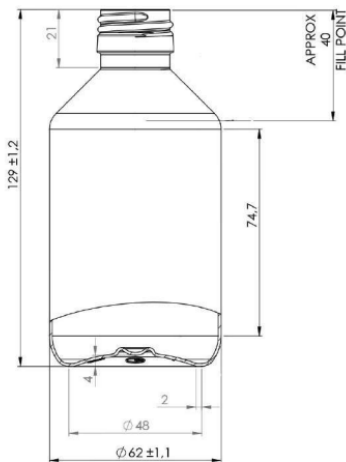


Pharma Veral 250



General info

Item no. (SKU):	LS1020822101
Family / Range:	Pharma Veral
Capacity:	250ml
Neck:	28 ROPP
Weight:	24
Shape:	Round
Material:	PET
Colour:	All Colours Available
Print Areas:	N/A
Country of Origin:	Lithuania

Packaging Info

Packed in Boxes

Box Dimensions (mm):	594 x 394 x 448
Quantity per box (pcs):	180
Boxes per pallet (pcs):	20
Quantity per pallet (pcs):	3600
Net weight (kg):	86
Gross weight (kg):	109
Pallet height (mm):	2400

Packed in PE bags on trays (Full pallet)

Tray dimensions (mm):	1200 x 800 x 50
Quantity per tray (pcs):	250
Quantity per PE bag (pcs):	125
PE bags per tray (pcs):	2
Trays per pallet (pcs):	17
Quantity per pallet (pcs):	4250
Net weight (kg):	102
Gross weight (kg):	128
Pallet height (mm):	2400

Food contact statement

We hereby confirm that this product complies with the requirements of the European legislation (EU) no 10/2011 and all its amendments for plastics used in contact with food

Storage

Please be aware that these products are handled and stored correctly in order to ensure the safety and quality of our products. When storing this product, please avoid excessive force and storage above 40 degrees Celsius (86 degrees Fahrenheit)